

COUGHLIN RESIDENCE

Project Portfolio

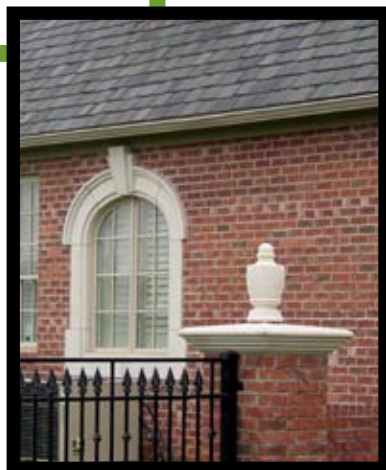


Project ID 13989

Helping you create Architectural Style for your home



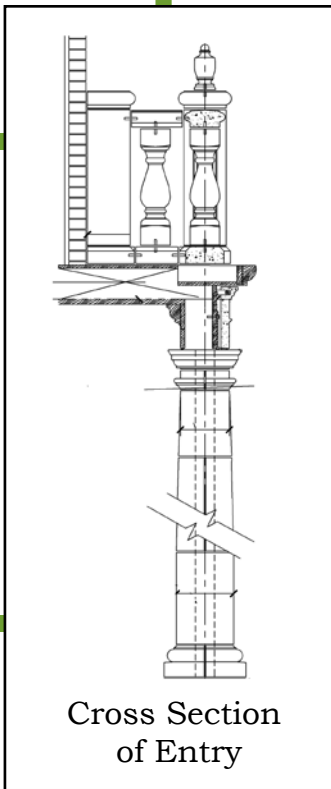
COUGHLIN PROJECT PORTFOLIO



COUGHLIN PROJECT PORTFOLIO



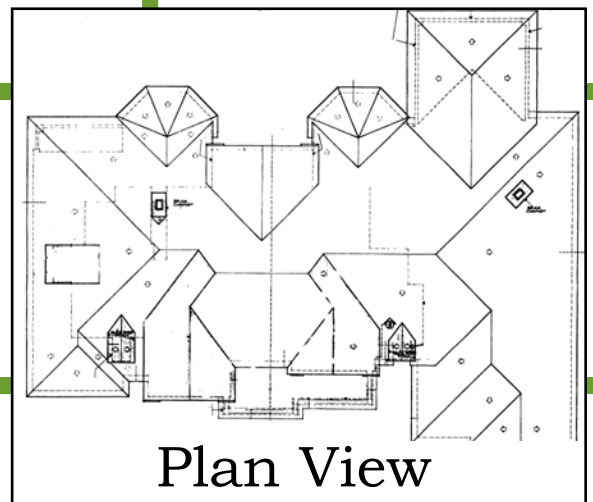
Front Elevation



Cross Section
of Entry



Side View Elevation



Plan View



Rear Elevation

Breaking Down The Project

Showing how the pieces fit together to make the style

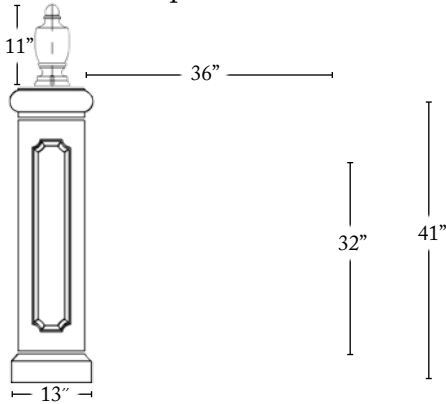
COUGHLIN RESIDENCE

Proj ID 13989

A



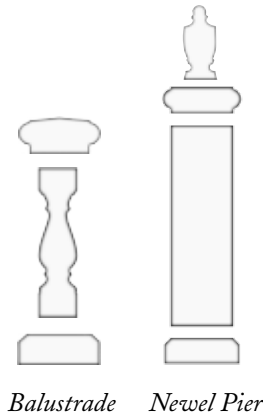
Top View



Front View

Cross Section

Balustrade System



Balustrade

Newel Pier



Pentland Urn
(Finial)



Extradados
(Cap)



Carriage
(Newel Pier)



Extradados
(Handrail)



Chamfer
(Base)

Newel Pier Profiles



Otterwood
(Baluster)



Chamfer
(Baseraill)

Balustrade Profiles

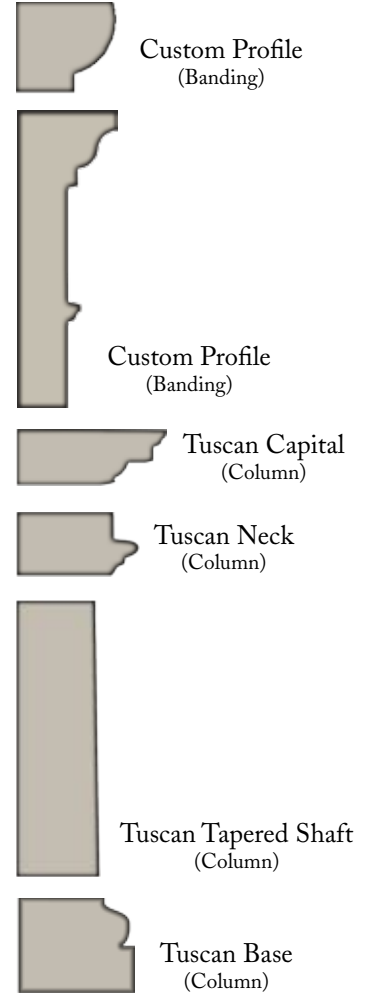
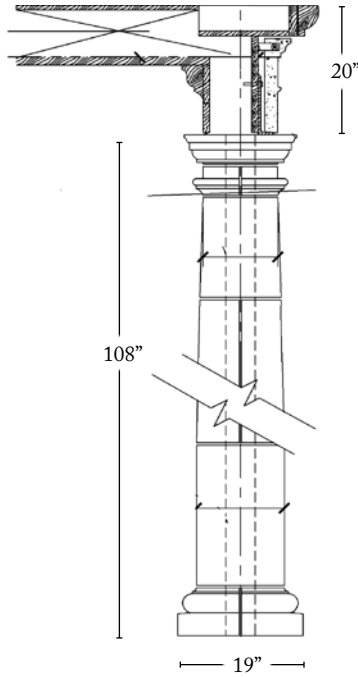
Breaking Down The Project

COUGHLIN RESIDENCE

Proj ID 13989

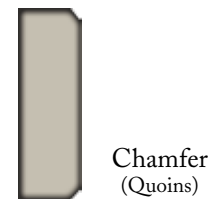
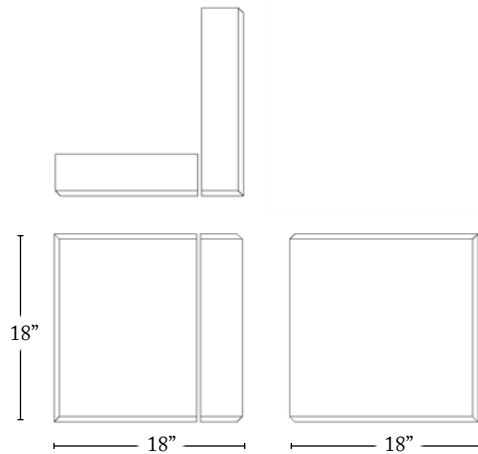
B

Showing how the pieces fit together to make the style



**Columns
& Banding**

C



Chamfer Quoins
Two Piece

Chamfer
(Quoins)

Quoins